

Class II construction



Dimmable



IC - 4 Insulation Rating



IC - F Insulation Rating

## 1 Specifications

Cat. No.	LDL90TRIWE	LDL90TRIPS
Fascia Colour	White	Polished silver
Nominal Supply Voltage	230 - 240 V a.c. 50Hz	
Input Power	7 W	
Power Factor	0.95	
Colour Rendering Index (CRI)	80+	
Beam Angle	105°	
Ceiling Cut-out Size	Ø 90mm	
Fascia Size	Ø113mm	
Depth into Ceiling	61mm	
Lifespan (@25°C ambient free air)	35,000hrs	
Dimming	Yes (with trailing edge dimmer only)	
Insulation Rating	IC-4 & IC-F	
IP Rating	IP44*	

\*IP rating: Front face when installed as per instructions.

### LIGHT COLOUR vs LUMENS OUTPUT

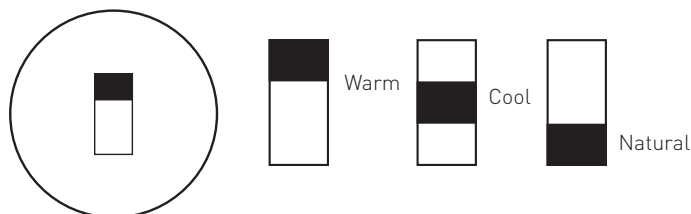
Colour Temperature	LDL90TRIWE & LDL90TRIPS	
	Lumens Output	Efficacy
3000K Nominal	750 lm	105 lm/W
4000K Nominal	850 lm	120 lm/W
5000K Nominal	850 lm	120 lm/W

## 2 Installation

1. Cut-out a hole in the ceiling. Refer to "Ceiling Cut-out Size" in the specifications section for the cut out size.
2. Set the Colour temperature (refer to next section).
3. Connect mains cable.
4. Remove the clear plastic protective cover from switch.
5. Fold back spring clips and insert into cut-out hole.

## 3 Colour temperature select

Set the selector switch in the desired colour temperature.



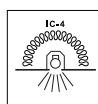
## 4 LED Downlight lamp life

35,000h Rated Average Lamp LED Life @ 25°C when installed with the default insulation clearances specified by AS/NZS 3000



20,000h

Rated Average Lamp LED Life @ 25°C when installed with the thermal insulation abutting and covering the fixture in accordance with the IC-4 and IC-F rating specified in AS/NZS 60598.2.2.

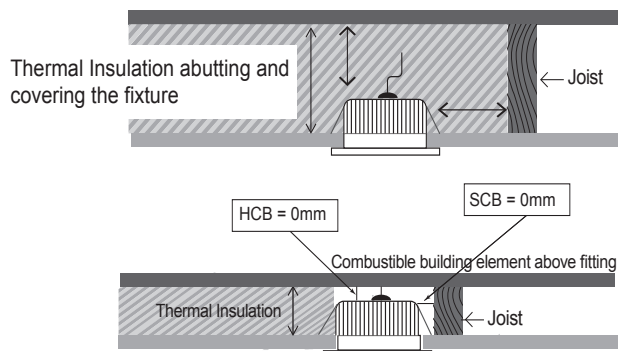


**Note:** This form of installation complies with the Wiring Rules AS/NZS 3000 requirement for recessed downlights, clause 4.5.2.3.1 (i).

## 5 Insulation Rating

This series of downlights has achieved an IC-4 and IC-F insulation rating in accordance with AS/NZS 60598.2.2.

A type IC-4 and IC-F luminaire can be installed with building insulation material that can safely be exposed continuously to temperatures up to 90°C. Such insulation can cover and abut the side of the luminaire. Refer to the diagram shown on the right for clarification.



**Note:** Not suitable for use with loose-fill insulation. If installed in accordance with the IC-4 and IC-F rating, insulation shall have a minimum temperature rating of 90°C.

No clearance is required from structural members and building elements (SCB & HCB = 0mm).

**SCB - Side Clearance to Building element:** Minimum distance between the side of the recessed luminaire and any building element.

**HCB - Height Clearance to Building element:** Minimum distance between the top of the recessed luminaire and any building element above it.

## 6 Dimming

This series of downlights are dimmable with trailing edge dimmers only. We recommend the following dimmers only.

Cat. No.	LDL90TRIWE, LDL90TRIPS	
	DOWNLIGHTS QTY PER DIMMER	DIMMING RANGE
Legrand EM400A3P, AR400A3P	12 max	1% - 95%
Legrand EM400A2P	12 max	9% - 90%
Legrand EM400T, AR400T	12 max	7% - 97%
HPM 400T	12 max	7% - 97%
Legrand EM250T	8 max	5% - 95%
HPM 250T	8 max	5% - 95%
HPM 700T	21 max	17% - 99%
HPM1000T	30 max	20% - 96%

## Product Notes

1. This product must be installed and used as per these instructions. 2. An IP rating of IP44 is generally considered suitable for external walls with supplementary protection such as overhanging eaves. 3. This product has been designed to operate in ambient temperatures 0°C to 25°C, occasionally reaching 35°C. 4. This product contains no serviceable parts and no attempt should be made to repair this product. If the product is faulty it should be discarded. 5. This product is not suitable for installation in hazardous and/or corrosive areas. 6. This product is not suitable for marine environments such as areas subject to salt spray and/or mist. 7. Electrical installations periodically receive transient over-voltages. This product has been designed to minimise the effect of such voltages on connected equipment. It may not give full protection for extreme over-voltage transients such as those resulting from a close lightning strike. 8. Extended exposure to UV rays (such as exposure to direct sunlight) may cause discolouration of this product. 9. The material in this product may vary in colour from batch to batch. Colour matching from one batch to another cannot be guaranteed. 10. Lamp life is an average figure only and may be reduced by frequent switching. 11. HPM Legrand reserves the right to modify the specification of this product at any time. 12. This product utilises intellectual property in the form of registered designs, trademarks, and/or patents. Such intellectual property remains the property of Legrand in all cases.

## Warranty

- Legrand ("we or us") has given each purchaser who is a consumer ("you") a warranty against defects in its products.
- As a consumer, you are entitled to the benefit of the Warranty and should read and understand its terms. In addition, for the purposes of the Australian and New Zealand Consumer Laws, we note the following:
  - If we accept your claim under the Warranty we will reimburse all your reasonable expenses in making and pursuing the claim, including the cost of reimbursement of any defective products returned in the ordinary course to us at the address above by post or other agreed means. Any such claim must be made within 14 days of your receiving notice of our acceptance of your claim and include any necessary supporting documentation or invoices.
  - As a consumer, you have rights under the Australian and New Zealand Consumer Laws and may have rights under other applicable laws which cannot be excluded, restricted or modified. Those rights are in addition to any rights you have under the Warranty.
  - Legrand warrants this product for a period of 3 years from the date of purchase. Our goods (which we refer to in the Warranty as the Products) come with guarantees that cannot be excluded under the Australian and New Zealand Consumer Laws. You are entitled to a replacement or a refund for a major failure and compensation for any other reasonably foreseeable loss or damage. You are also entitled to have the goods repaired or replaced if the goods fail to be of acceptable quality and the failure does not amount to a major failure.

- Our contact details for the purpose of any claims made under the Warranty are below. Any claim under the Warranty must be sent in writing to the following address:

**AUSTRALIA ONLY**  
 Legrand Australia Pty Ltd  
 Nexus Industry Park  
 Bldg 4, 43-47 Lyn Parade  
 PRESTONS, NSW 2170  
 1300 369 777  
 sales.orders@legrand.com.au

**NEW ZEALAND ONLY**  
 Legrand New Zealand Ltd  
 106-124 Target Rd  
 GLENFIELD, AUCKLAND  
 0800 476 009  
 nz.sales@legrand.co.nz

